

Mini free-standing Beacons / Permanent Light 210 Permanent Beacon BM 12-230VAC/DC RD



Part No.: 210.100.00



MECHANICAL DATA

Height	81 mm
Diameter	57 mm
Materials	PA-GF PC
Dome colour	Red
Housing colour	Black
Protection category	IP65
Connection	Spring-type terminal
cross-sectional area maximum	2,50mm ² / 14AWG
Cable entry	Through hole
Cable entry maximum	d = 10 mm
Type of fixing	Base mounting
Service life optical	depends on bulb
Working temperature minimum	-20°C
Working temperature maximum	+50°C
Weight with packaging	53 g
Product weight	53 g

ELECTRICAL DATA

Operating voltage	12-230V
Operating voltage type	AC/DC
Rated inrush current	500 mA

OPTICAL DATA

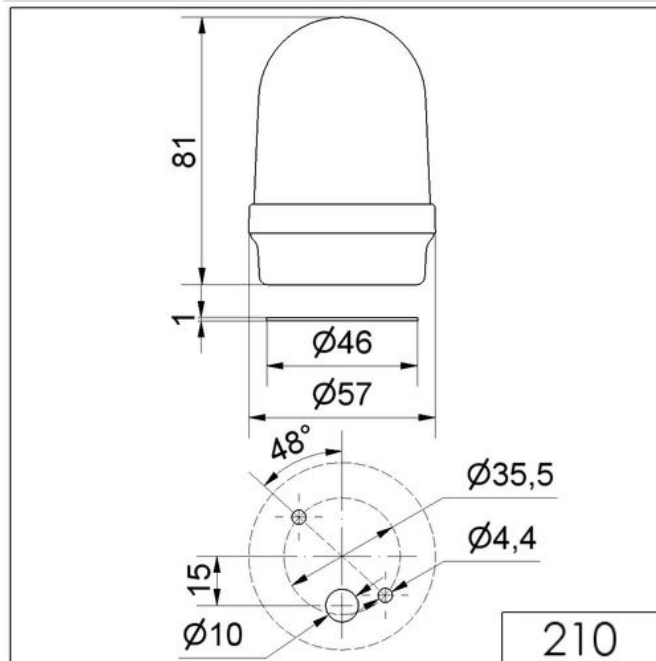
Light colour	Red
--------------	-----



For additional installation and mounting information, refer to the appropriate user guide at www.werma.com. This printed copy is for information only and is subject to alteration.

Mini free-standing Beacons / Permanent Light 210
Permanent Beacon BM 12-230VAC/DC RD

DRAWING



For additional installation and mounting information, refer to the appropriate user guide at www.werma.com. This printed copy is for information only and is subject to alteration.